

## BALANCE DELUXE


Excellent quality articulator. Equipped with a model guide and has convenient 10° to 70° adjustable angulation.

- A functional, precise, and aesthetic working device that impresses with its long life and high economy.
- Available in three construction heights: 95mm, 105mm, and 116mm.
- For individual preparations on full dentures as well as for crown and bridge technique.
- May be extended by additional accessories.

71502 Balance Deluxe 95mm \$489.95  
 71503 Balance Deluxe 105mm \$489.95  
 71504 Balance Deluxe 116mm \$489.95

## BALANCE DELUXE

*The reliable articulator with individually adjustable Condyle Orbit Inclination.*



**TECHNICAL DATA**

Intercondylar Distance ..... 100mm  
 Condyle Inclination.. 10° to + 70°  
 Incisal table ..... 5°  
 Bennett angulation ..... 0° - 25°



## BALANCE ARTICULATOR

Functional for both complete or partial prosthodontics, as well as C&B work, the Balance is a precise 3/4 size, average value articulator. Supplied with 25° fixed inclination condyles, 2 zinc rings, 5° incisal guide table, 0° to 15° adjustable Bennet angle, and 100mm inter-condyle opening.

- A working device that has been reliable, solid, and functional for years.
- Available in three construction heights: 95mm, 105mm, and 116 mm.
- Designed for crown and bridge work and full/partial prosthetics.
- May be extended by additional accessories.

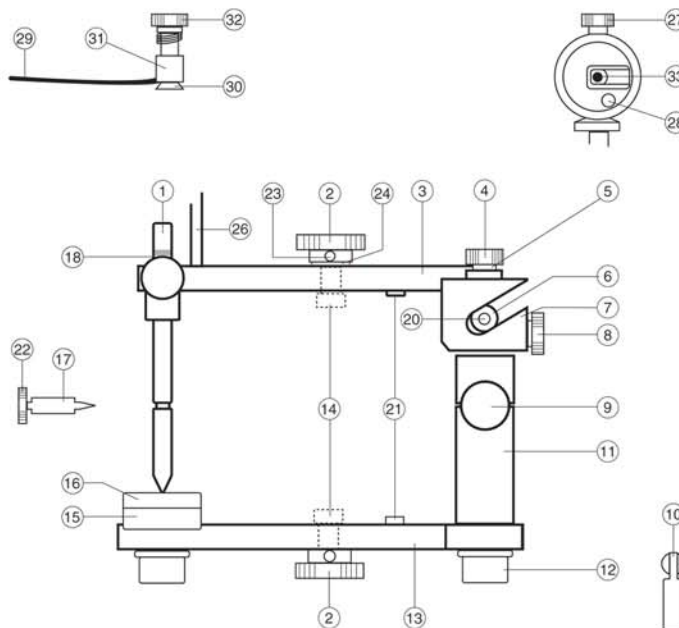
TECHNICAL DATA	
Intercondylar Distance .....	100 mm
Condyle Inclination .....	25°
Incisal table .....	5°
Bennett angulation .....	0° - 25°

71500 Balance Articulator

\$379.95

## BALANCE & BALANCEDELUXE PARTS

- 1a.. Incisal Pin for 95mm
- 1b.. Incisal pin for 105mm
- 1c.. Incisal Pin for 106mm
- 1d.. Incisal Pin for 116mm
- 2.. Model Support Screw
- 3.. Articulator Upper Part
- 3.. Articulator Upper Part
- 4a.. Clip-Clap Screw, Regular
- 4b.. Clip-Clap Screw, Long for 40° Condyle
- 5.. Counter-Spring
- 6.. Condyle Ball
- 7.. Condyle Element 25°
- 8.. 3/4 Fixing Screw
- 9.. Round Fixing Screw (new)
- 10.. Fixing Lever (old)
- 11a. Pillar Righthand
- 11b. Pillar Lefthand
- 12a. Foot 6 mm (regular)
- 12b. Foot 8 mm (old)
- 13.. Articulator L. Part
- 14.. Brass Screw



- 15.. Incisal Plate Holder
- 16.. Incisal Plate 5°
- 17.. Incisal Indicator, Long
- 17b. Incisal Indicator Short (old)
- 18.. Fixing Screw
- 20.. Condyle Axle with ball
- 21.. Guiding Groove
- 22.. Fixing Screw
- 23.. Cross Screw
- 24.. Lower Washer
- 25.. Imbus Key
- 26a. Support Pin 92mm
- 26b. Support Pin 113mm
- 26c. Support Pin 138mm
- 27.. Fixing Screw for Condyle
- 28.. Fixing Screw for Condyle Ball
- 29.. Orbital Plate
- 30.. Screw for Orbital Plate
- 31.. Orbital Holder
- 32.. Screw for Orbital Holder
- 33.. Condyle Ball Retention

**call to order 800.547.1511** 7am - 5pm (PST)